

μGrind booster

HPS 20 and HPS 20L

grinding deserves SOLUTIONS

GDS[®]
Made in Germany

GDS μ Grind booster HPS 20 // GDS μ Grind booster HPS 20L

The μ Grind booster HPS 20 **automatic chuck** can be setup to virtually eliminate runout in just a few minutes, using two simple gauges.



We developed the μ Grind booster in close cooperation with leading tool grinding professionals specifically to achieve high precision clamping in that field.

The chuck uses specialized shallow taper (1°) collets for outstanding clamping force. Plus the collets can be changed in seconds without any tools or readjustment, enabling quick diameter changes.

The chuck is "self-clamping," (it clamps the tool without external force and releases upon activation of a pneumatic push rod). A spring-like mechanism applies a constant pull on the collet to clamp the tool. Because that linkage is not rigid, the collet (and therefore the tool blank) cannot be pulled crooked.

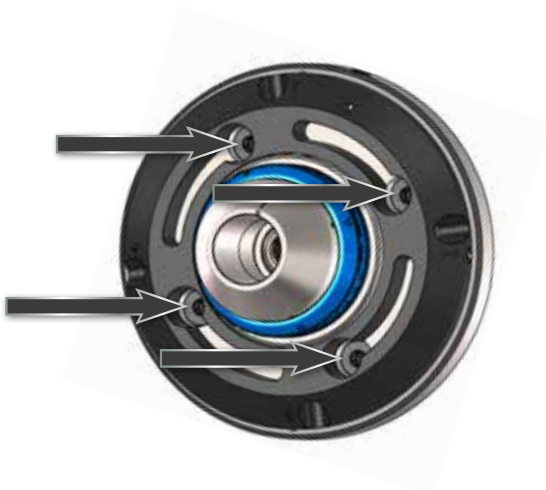
Setup requires just a few minutes and neither special skills nor tools. Even weeble-wobble can be virtually eliminated just by adjusting screws.

GDS - precision is our passion

Adjust concentricity // Eliminate runout

The μ Grind booster gives you the ability to quickly and easily adjust axial runout and "weeble-wobble" yielding a **new dimension in grinding precision**.

Setup - Concentric with the machine

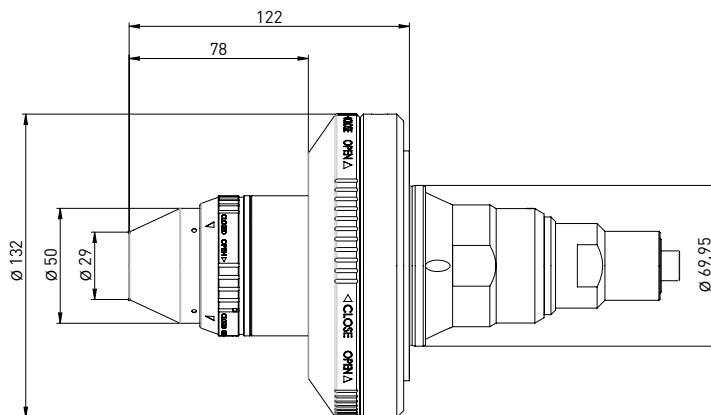
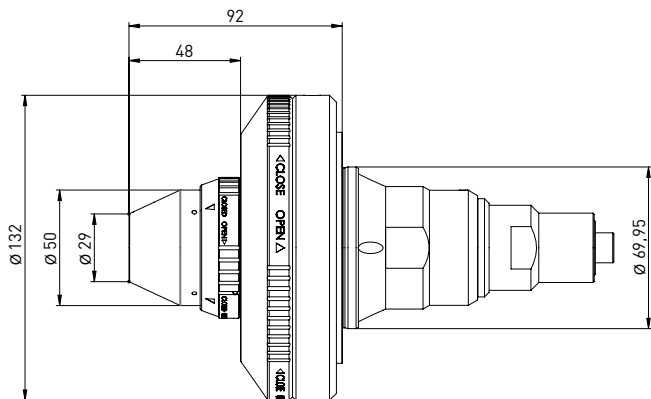


Setup - Parallel with the machine



GDS μ Grind booster HPS 20 // GDS μ Grind booster HPS 20L

μ Grind booster HPS20 / HPS20L



Delivery includes:

Case, actuating pushrod, adjustment hammer, wrench

Item No.	Name	D	L
400001000	μ Grind booster HPS 20	69,95	92
400001001	μ Grind booster HPS 20 L	69,95	122

Available for the following machines:



Helitronic Mini Power
 (excluding Mini Automation)
 Helitronic Power
 Helitronic Vision
 Helitronic Essential
 Measuring machine: Helicheck



Lets you adjust both runout and weeble-wobble to within two microns at $2\frac{1}{2} \times D$ without special tools or skill

Handles shanks from 3 to 20 mm (1/8 to 3/4 inches)

Lets you change diameters in seconds and maintains its precision without adjustment

Performs like this over tens of thousands of clampings

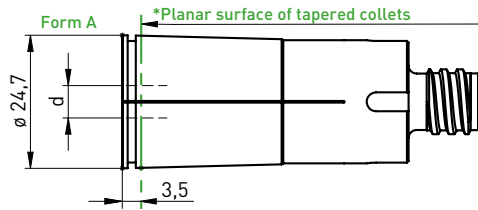
Requires a relatively short clamping length on the blank to achieve constant holding force and concentricity

Features a tapered profile and smaller nose diameter than hydraulic holders for better wheel clearance and freedom from interference

Offers excellent dampening properties for uniform material removal, optimized feed rates, excellent surface finish, and significantly reduced grinding wheel wear

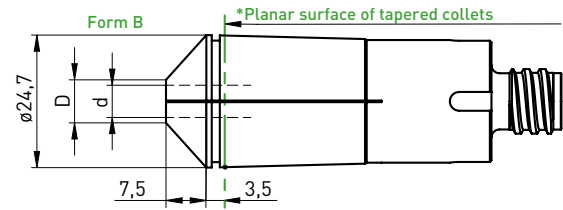
Suitable for both high production and regrinding

Accessories flat collets:

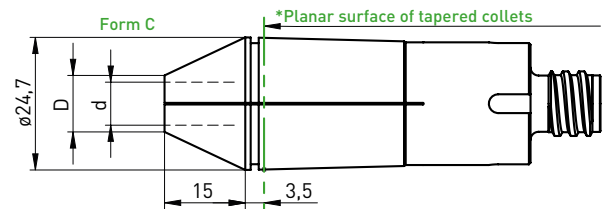


Item No.	Name - $\varnothing d$	Form
350260003	HPS collet 20 - $\varnothing 3$ mm	A
350260004	HPS collet 20 - $\varnothing 4$ mm	A
350260005	HPS collet 20 - $\varnothing 5$ mm	A
350260006	HPS collet 20 - $\varnothing 6$ mm	A
350260007	HPS collet 20 - $\varnothing 7$ mm	A
350260008	HPS collet 20 - $\varnothing 8$ mm	A
350260009	HPS collet 20 - $\varnothing 9$ mm	A
350260010	HPS collet 20 - $\varnothing 10$ mm	A
350260011	HPS collet 20 - $\varnothing 11$ mm	A
350260012	HPS collet 20 - $\varnothing 12$ mm	A
350260013	HPS collet 20 - $\varnothing 13$ mm	A
350260014	HPS collet 20 - $\varnothing 14$ mm	A
350260015	HPS collet 20 - $\varnothing 15$ mm	A
350260016	HPS collet 20 - $\varnothing 16$ mm	A
350260017	HPS collet 20 - $\varnothing 17$ mm	A
350260018	HPS collet 20 - $\varnothing 18$ mm	A
350260019	HPS collet 20 - $\varnothing 19$ mm	A
350260020	HPS collet 20 - $\varnothing 20$ mm	A
350260201	HPS collet 20 - $\varnothing 1/8''$	A
350260202	HPS collet 20 - $\varnothing 3/16''$	A
350260203	HPS collet 20 - $\varnothing 1/4''$	A
350260204	HPS collet 20 - $\varnothing 5/16''$	A
350260205	HPS collet 20 - $\varnothing 3/8''$	A
350260206	HPS collet 20 - $\varnothing 7/16''$	A
350260207	HPS collet 20 - $\varnothing 1/2''$	A
350260208	HPS collet 20 - $\varnothing 9/16''$	A
350260209	HPS collet 20 - $\varnothing 5/8''$	A
350260210	HPS collet 20 - $\varnothing 11/16''$	A
350260211	HPS collet 20 - $\varnothing 3/4''$	A

Accessories tapered collets:



Item No.	Name - $\varnothing d$	Form
350260130	HPS collet 20K - $\varnothing 2,35$ mm	B
350260103	HPS collet 20K - $\varnothing 3$ mm	B
350260104	HPS collet 20K - $\varnothing 4$ mm	B
350260105	HPS collet 20K - $\varnothing 5$ mm	B
350260106	HPS collet 20K - $\varnothing 6$ mm	B
350260301	HPS collet 20K - $\varnothing 1/8''$	B
350260302	HPS collet 20K - $\varnothing 3/16''$	B
350260303	HPS collet 20K - $\varnothing 1/4''$	B



Item No.	Name - $\varnothing d$	Form
350260107	HPS collet 20K - $\varnothing 7$ mm	C
350260108	HPS collet 20K - $\varnothing 8$ mm	C
350260109	HPS collet 20K - $\varnothing 9$ mm	C
350260110	HPS collet 20K - $\varnothing 10$ mm	C
350260111	HPS collet 20K - $\varnothing 11$ mm	C
350260112	HPS collet 20K - $\varnothing 12$ mm	C
350260304	HPS collet 20K - $\varnothing 5/16''$	C
350260305	HPS collet 20K - $\varnothing 3/8''$	C
350260306	HPS collet 20K - $\varnothing 7/16''$	C
350260307	HPS collet 20K - $\varnothing 1/2''$	C



Minimum clamping depth of $2,5 \times \varnothing$ from *clamping chuck's plane surface.



GDS local sales and service partners

Our certified partners **take care of you**, where we can't be in person, providing optimal support and answers to your questions.



Original GDS clamping and balancing solutions, as well as grinding wheel holders, for all aspects of tool grinding are available from our trade partners.

From consulting to order processing, our trade partners are at your disposal.

GDS - the precision makers

D- PLZ 0 - 6
Dr. MÜLLER DIAMANTMETALL AG
 Leprosenweg 34
 82362 Weilheim i. Ob.
 Tel: +49 (0) 881 - 90 11 55-0
 Fax: +49 (0) 881 - 90 11 55-100
 Email: vertrieb@muedia.de
 Web: www.muedia.de

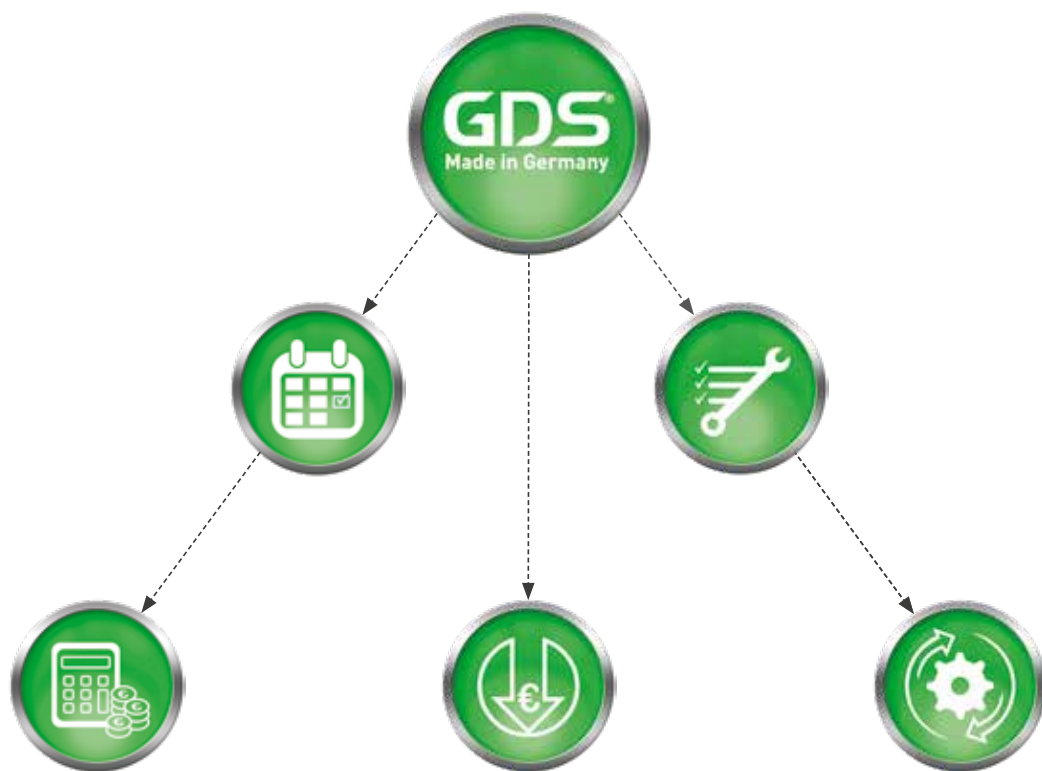
D- PLZ 0 - 6 (Spann- und Wuchttechnik)
Balletshofer Schleiftechnik
 Am Geiselbach 28
 86637 Zusamaltheim
 Mobil: +49 (0)1 70 - 3 44 54 74
 Fax: +49 (0) 82 96 - 90 98 96
 Email: info@balletshofer.com
 Web: www.balletshofer.com

D- PLZ 6 + 7
Fischer Präzisionswerkzeug-Maschinen GmbH & Co. KG
 Burghaldenstraße 2
 71065 Sindelfingen
 Tel: +49 (0) 70 31 - 81 10 - 25
 Fax: +49 (0) 70 31 - 81 10 - 27
 Email: info@hf-fischer.de
 Web: www.hf-fischer.de

D- PLZ 8 + 9
Balletshofer Schleiftechnik
 Am Geiselbach 28
 86637 Zusamaltheim
 Mobil: +49 (0)1 70 - 3 44 54 74
 Fax: +49 (0) 82 96 - 90 98 96
 Email: info@balletshofer.com
 Web: www.balletshofer.com



REVOLUTION IN TOOLGRINDING



GDS Präzisionszerspanungs GmbH // Endelbergstraße 8 // 72131 Oftringen

Telefon: + 49 (0) 74 73 - 27 26 72
Telefax: + 49 (0) 74 73 - 27 26 49

E-Mail: info@gds-praezision.de
Web: www.gds-praezision.de

GDS[®]
Made in Germany